

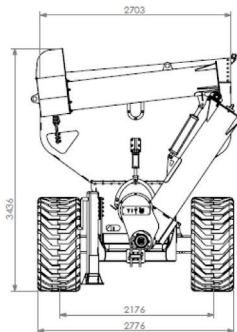
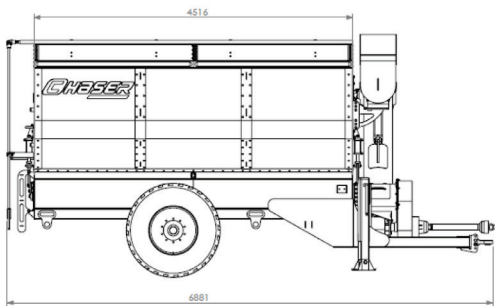


# 14 TON

## TECHNICAL DATA

Bin Capabilities	18 Cube
Vertical Auger Size	400 mm
Horizontal Auger Size	290 mm
Auger Discharge Height	3960 mm
Bin Side Height	3070 mm
Bin Length	4516 mm
Overall Length	6881 mm
Tyres	600/55 R26.5
Wheel Tracks	2176 mm

## ////// DIMENSIONS ////



# TIY MANUFACTURING

TIY Manufacturing (PTY) LTD | 10 Haggie Road, Dunswart, Boksburg

Johan ☎ 082 554 5180 | Pierre ☎ 082 959 7420 | Zander ☎ 082 893 8416

✉ sales@tiymanufacturing.co.za 🌐 www.tiymanufacturing.co.za



INCREASED  
HEADER CAPACITY



ABLE TO HARVEST  
IN WETTER CONDITIONS



PRODUCT BUILT  
TO LAST



18 m<sup>3</sup> (14 ton)



AUGER IS DRIVEN BY  
HEAVY DUTY GEARBOX



INCREASED  
HARVEST EFFICIENCY