

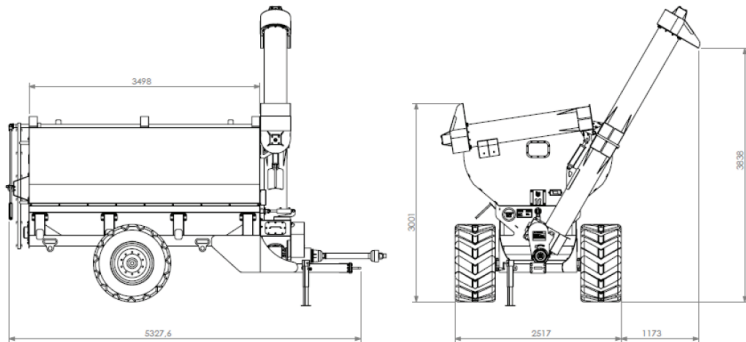


# 10 TON

## TECHNICAL DATA

Total Width	2517 mm
Total Length (Incl. Drawbar)	5327 mm
Total Height	2840 mm
Weight	2,560 kg
Tyre Size	600/50 R22.5
Capacity	10 ton
Power Required	70 kW
Discharge Tempo	1.5 ton/min depending on material

## ////// DIMENSIONS ////



# TIY MANUFACTURING

TIY Manufacturing (PTY) LTD | 10 Haggie Road, Dunswart, Boksburg

Johan ☎ 082 554 5180 | Pierre ☎ 082 959 7420 | Zander ☎ 082 893 8416

✉ sales@tiymanufacturing.co.za 🌐 www.tiymanufacturing.co.za



INCREASED  
HEADER CAPACITY



ABLE TO HARVEST  
IN WETTER CONDITIONS



PRODUCT BUILT  
TO LAST



13 m<sup>3</sup> (10 ton)



AUGER IS DRIVEN BY  
HEAVY DUTY GEARBOX



INCREASED  
HARVEST EFFICIENCY